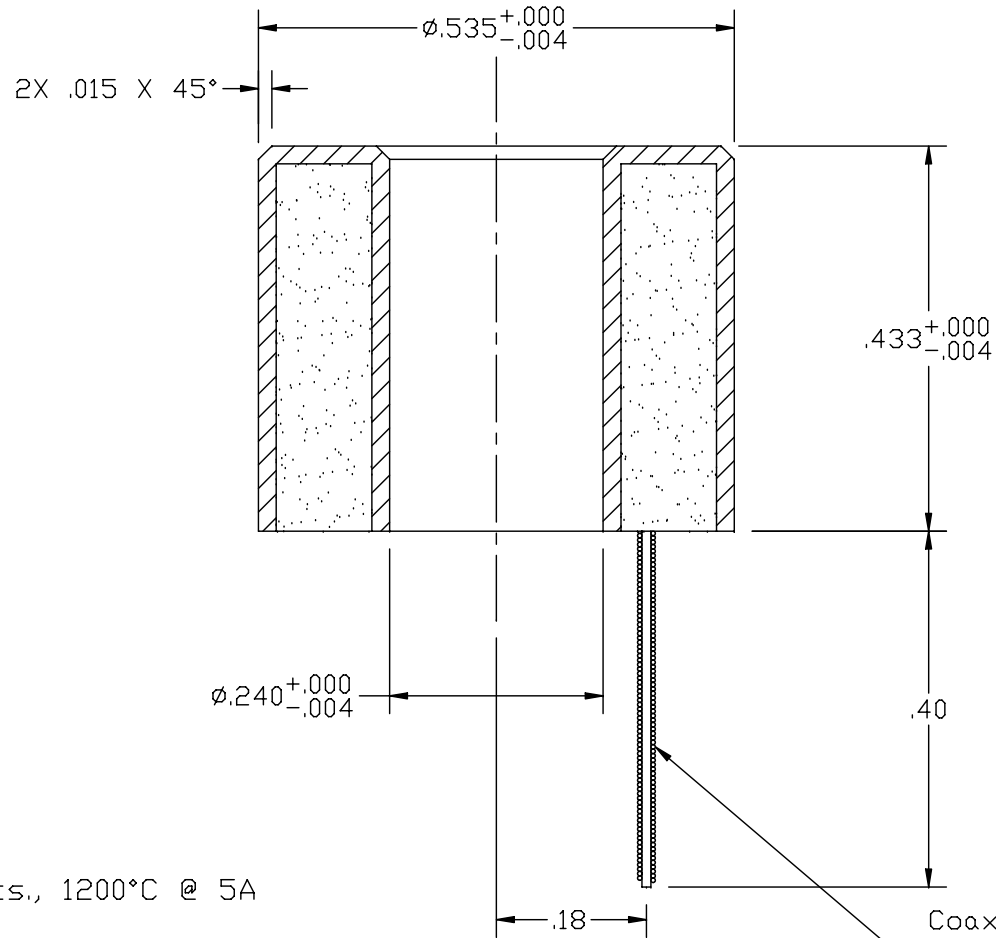


REVISIONS			
REV	DESCRIPTION	DATE	APPROVED



Notes:

- Operating specs., 1200°C @ 5A max. 12V max.

Coaxial Heater, $\phi.010$ 3%Re/W Wire with $\phi.005$ HT Mo Overwrap.
One Lead Brazed Internally.

UNLESS OTHERWISE SPECIFIED
ALL DIMENSIONS ARE IN INCHES.

TOLERANCES ARE:
.XXX = ± 0.005 .XX = ± 0.020
.XXXX = ± 0.0005
FINISH 63 MICROINCHES
ANGLES 0 DEGREE ± 30 MINUTES
EDGES AND CORNERS .005 R MAX

This document is the property of HeatWave. Its contents may not be reproduced or distributed without express written permission of HeatWave.

HeatWave

310 Emerald City Way Phone: (831) 722-9081
Watsonville, Ca. 95076 Fax: (831) 722-5491

MATERIAL
Noted

DO NOT SCALE DRAWING

	BY	DATE
DRAWN		
ENGR	M. Curtis	10/31/96

UHV Sample Heater

SIZE A	FSCN NO.	DWG. NO. 1270	REV -
THIRD ANGLE PROJECTION		SCALE: 5x	SHEET: