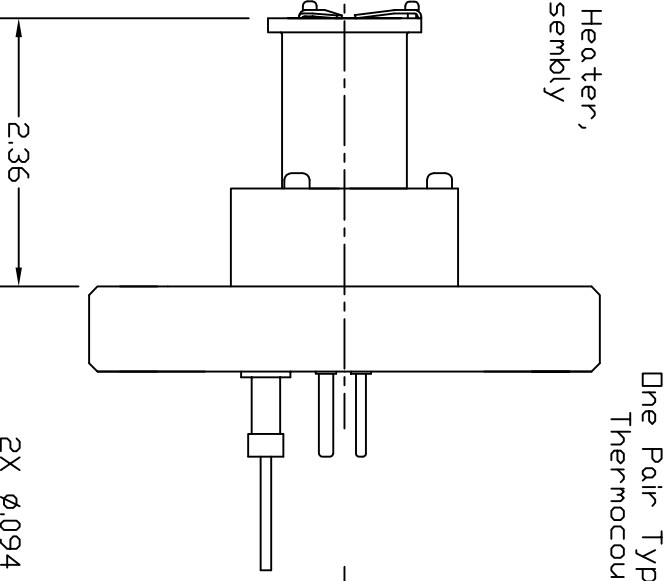
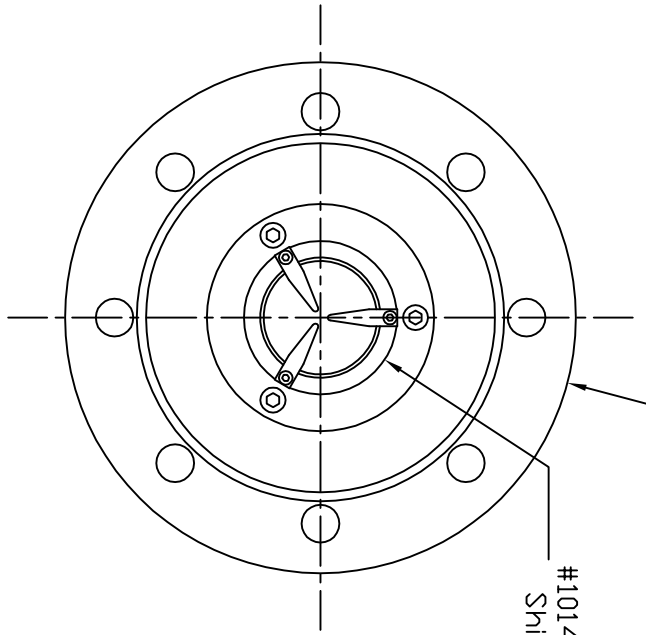


Dash # Next Assembly
- -

| REVISIONS | | |
|-----------|-------------|------|
| REV | DESCRIPTION | DATE |
| | | |
| | | |

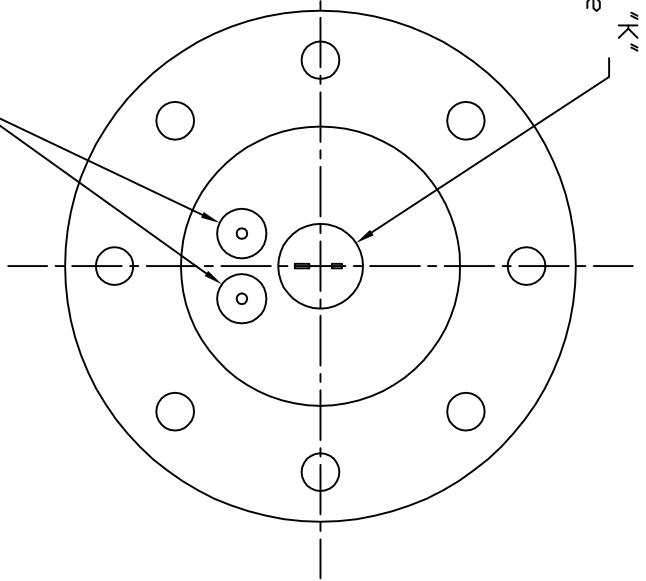
Ø4.50 CFF, Rotatable,
Not Tapped

#101491-02 Heater,
Shield Assembly



2X Ø.094 Power
Feedthrus

One Pair Type "K"
Thermocouple



Notes:
1.

This document is the property of HeatWave Labs. Its contents may not be reproduced or distributed without express written permission of HeatWave Labs.

UNLESS OTHERWISE SPECIFIED
ALL DIMENSIONS ARE IN INCHES.
TOLERANCES ARE:
XXXX = ±.005 XX = ±.020
FINISH 63 MICRONDICHES
ANGLES 0 DEGREE ±30 MINUTES
EDGES AND CORNERS .005 R MAX

MATERIAL
-

DD NOT SCALE DRAWING

| Qty. | Part # | Description | Item # |
|------|--------|------------------------------|--------|
| 1 | 102141 | Ø4.5 CFF w/101491-02 Mounted | - |

HeatWave Labs, Inc.
195 Aviation Way, Suite 100 (831) 722-9081
Watsonville, Ca. 95076 Fax: (831) 722-5491
Website: www.cathode.com

BY DATE
DRAWN M.Curtis 3/3/03
ENGR DATE
Ø4.5 CFF w/101491-02 Mounted
w/Power & TC'S Feedthrus

SIZE Cage Code DWG. NO. REV
A 1YAN4 102140 -
THIRD ANGLE PROJECTION SCALE: 06x SHEET: 1/1