

REVISIONS			
REV	DESCRIPTION	DATE	APPROVED
A	Added dash numbers.	7/11/06	MC
A1	Added base orientation note and dimension.	8/25/10	MC

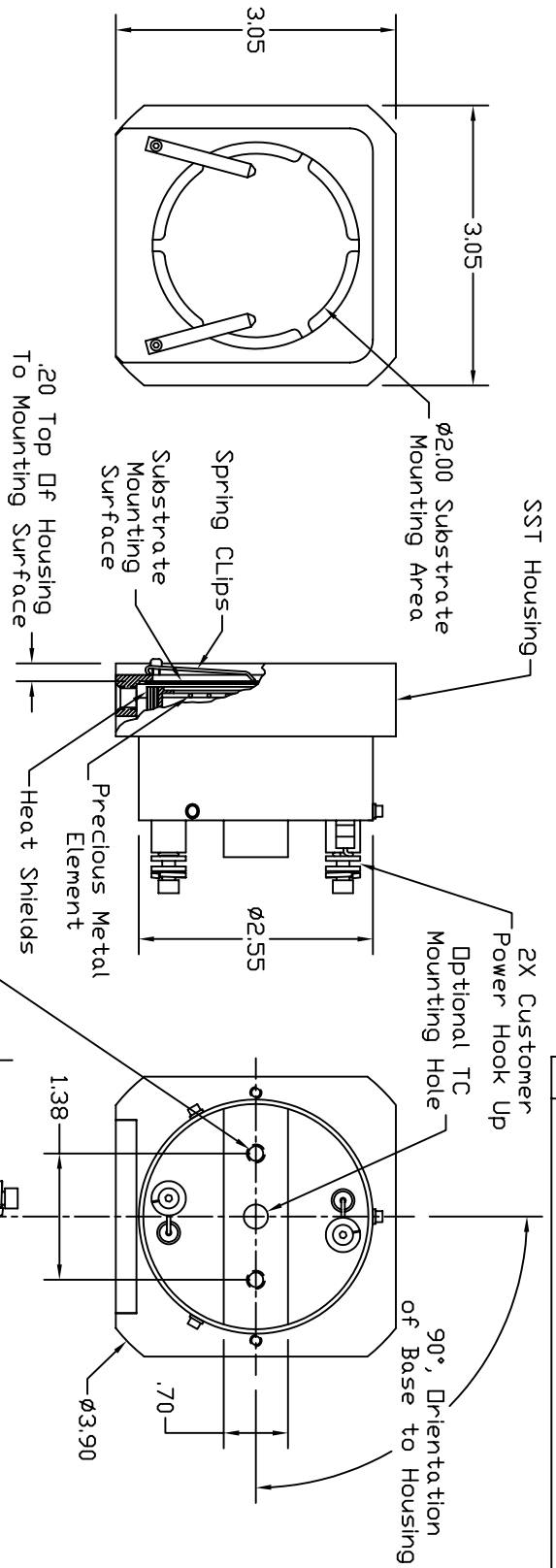


Table A

Dash #	Atm.
-01	UHV
-02	UHV/□2

Notes:
1. Shown with optional sample stage.

Qty.	Part #	Description	Item #
1	102916-02	□2.0 UHV Sample Stage	-
1	102916-01	□2.0 UHV/□2 Sample Stage	-
1	102917-02	□2.0 UHV Heater Assembly w/Dock	-
-	102917-01	□2.0 UHV/□2 Heater Assembly w/Dock	-

HeatWave Labs, Inc.

195 Aviation Way, Suite 100 (831) 722-9081
Watsonville, Ca. 95076 Fax: (831) 722-5491
Website: www.ca.thode.com

ALL DIMENSIONS ARE IN INCHES.
TOLERANCES ARE:
XXXX = ±.005 XX = ±.020
XXXXX = ±.0005
FINISH 63 MICRORINCHES
ANGLES 0 DEGREE ±30 MINUTES
EDGES AND CORNERS .005 R MAX

BY DATE
ENGR M.Curtis 2/4/05

SIZE FSCN NO. DWG. NO. REV
A 102915 A1

This document is the property of HeatWave Labs. Its contents may not be reproduced or distributed without express written permission of HeatWave Labs.

DD NOT SCALE DRAWING

THIRD ANGLE PROJECTION SCALE: 06X SHEET: 1/1