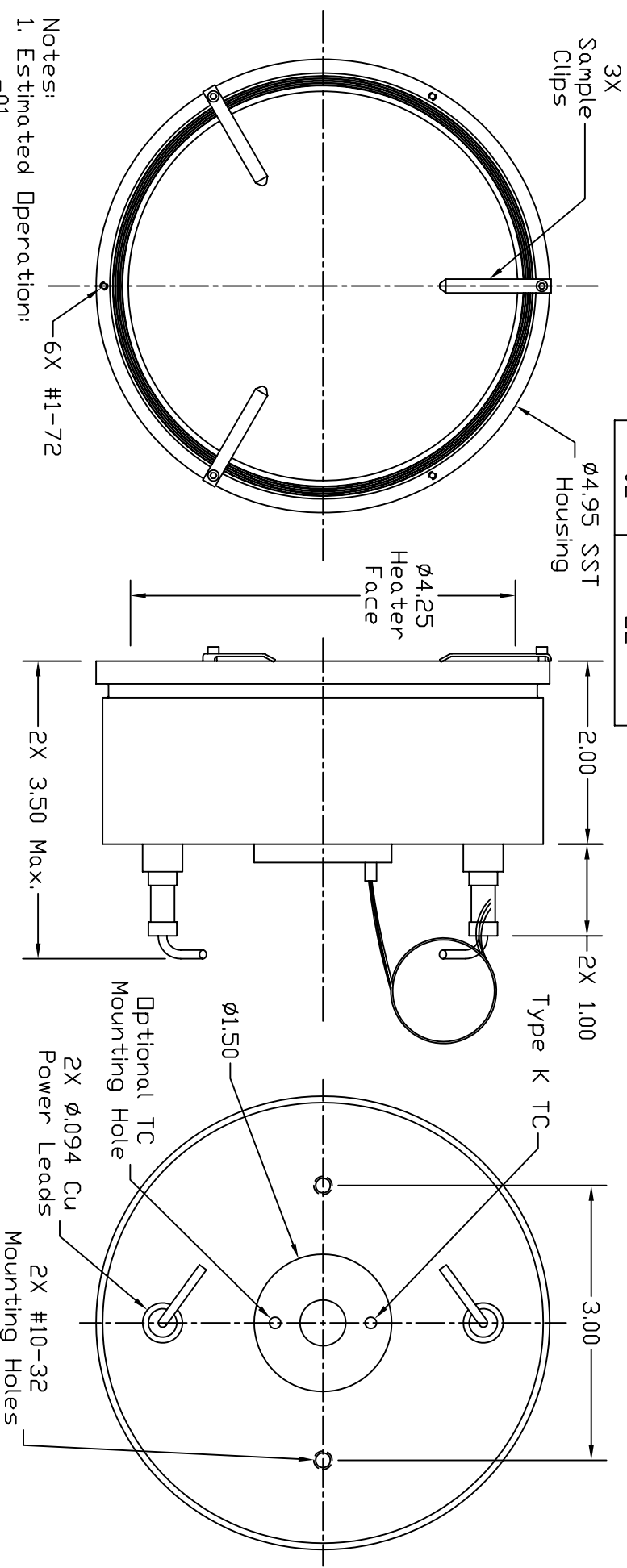


Table A

Dash #	Next Assembly
-	-

Dash #	Atmosphere
-01	UHV
-02	D2

REV	DESCRIPTION	DATE	APPROVED



Notes:
1. Estimated Operation:
-01
11.3V, 20.1A @ 800°C
13.8V, 22.9A @ 1000°C
18.2V, 27.5A @ 1200°C
-02
9.5V, 17.2A @ 800°C
13.9V, 22.4A @ 1000°C
16.8V, 26.4A @ 1100°C
2. The -01 assembly has a Moly heater face, -02 has an Inconel heater face.

This document is the property of HeatWave Labs. Its contents may not be reproduced or distributed without express written permission of HeatWave Labs.

Qty.	Part #	Description	Item #
1	105526-02	Ø4.0 D2 Heater Assembly	-
-	105526-01	Ø4.0 UHV Heater Assembly	-

UNLESS OTHERWISE SPECIFIED ALL DIMENSIONS ARE IN INCHES.	
TOLERANCES ARE: XXX = ±.005 XX = ±.020 XXXX = ±.0005	
FINISH 63 MICRONDICES ANGLES 0 DEGREE ±30 MINUTES EDGES AND CORNERS .005 R MAX	
MATERIAL	
-	

DD	DD	DD	DD	DD	DD	DD	DD
DD	DD	DD	DD	DD	DD	DD	DD

BY	DATE
ENGR	M.Curtis
	8-11-09

HeatWave Labs, Inc.
195 Aviation Way, Suite 100 (831) 722-9081
Watsonville, Ca. 95076 Fax: (831) 722-5491
Website: www.cathode.com

Ø4.0 Heater Assembly

SIZE	Cage Code	DWG. NO.	REV
A	1YAN4	105487	-

THIRD ANGLE PROJECTION SCALE: 06X SHEET: 1/1