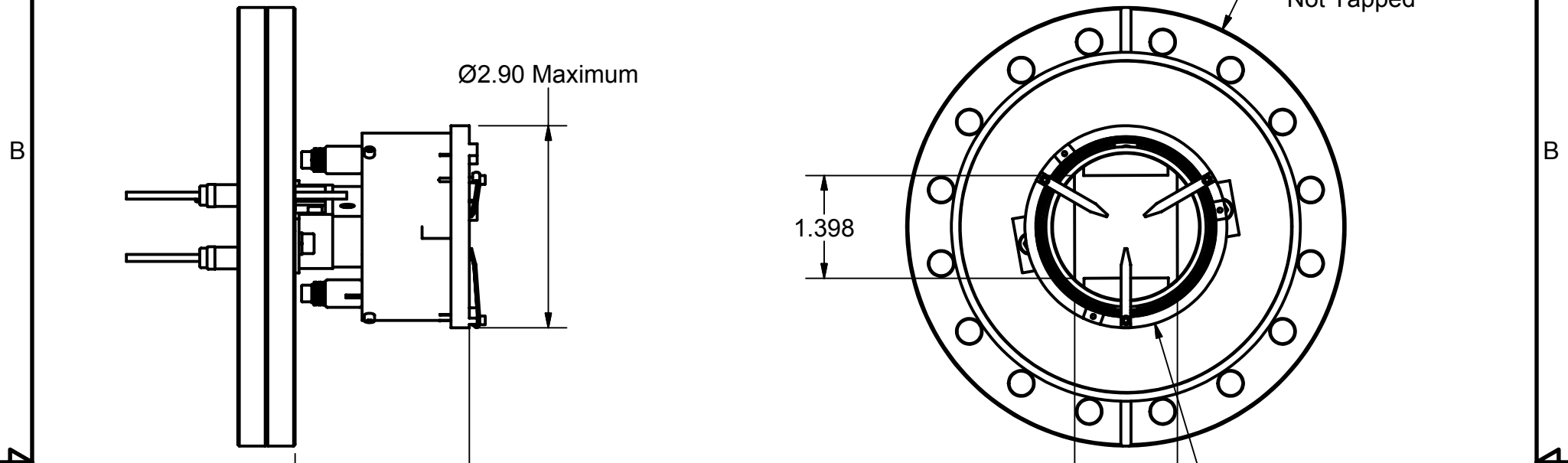




PARTS LIST

ITEM	QTY	PART NUMBER	DESCRIPTION
1	1	106344	6 CFF Mounted Htr. Assy., BOM



2.36, Face of CFF to Face of Heater

Ø2.90 Maximum

1.398

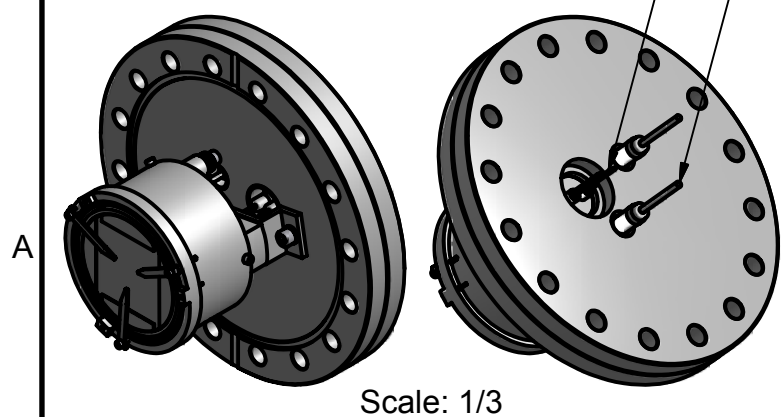
1.398

Single Pair Type "K" TC Feedthru
2X Ø.094 Cu Power Feedthru

#101446-11, Ø2.0 O2
Heater Assembly
w/Custom Diffusor Plate

Notes:

1. All vacuum side wiring not shown for clarity. This wiring will be restricted to be within the 2.90 maximum diameter of the heater housing.
2. The 1.398 square cutout on the diffusor plate face is .010±.002 deep.



Scale: 1/3

This document is the property of HeatWave Labs. Its contents may not be reproduced without express written permission of HeatWave Labs.

DRAWN mcurtis	7/22/2010
CHECKED	
QA	
MFG	
APPROVED	
Material:	
-	

HeatWave Labs, Inc.		195 Aviation Way, Suite 100 P: 831-722-9081 Watsonville, CA 95076 F: 831-722-5491 www.cathode.com	
6 CFF Mounted Ø2.0 O2 Heater Assembly w/Custom Diffusor Plate & Sample Clips			
SIZE A	Cage Code: 1YAN4	DWG NO 106337	REV
SCALE 1/2			SHEET 1 OF 1

